



# Reflector Infrared BR40,PAR38

Ref IR 175W 115-125V Red 1CT

Philips Family of Specialty Incandescents provide the perfect light for dramatic accents and display lighting as well as general lighting in a variety of applications. Philips Infrared lamps are suited for heating and drying in industrial and commercial applications. These incandescent, gas-filled infrared heat lamps come up to full temperature almost immediately, eliminating costly warm-up time. Highly efficient heat generators that produce a minimum of light rays and a high amount of infrared radiation. The BR40 lamp provides a built-in reflector for radiant energy control.

## Product data

### • General Characteristics

Base	Medium [Single Contact Medium Screw]
Bulb	PAR38 [PAR 4.75 inch/121mm]
Bulb Material	Hard Glass
Bulb Finish	Red
Operating Position	h45
Main Application	Infrared Industrial
Nominal Lifetime	5000 hr
Rated Lifetime (hours)	5000 hr

### • Light Technical Characteristics

Color Designation	R
-------------------	---

### • Electrical Characteristics

Energy Used	175 W
Voltage	115-125 V
Dimmable	Yes

### • Product Dimensions

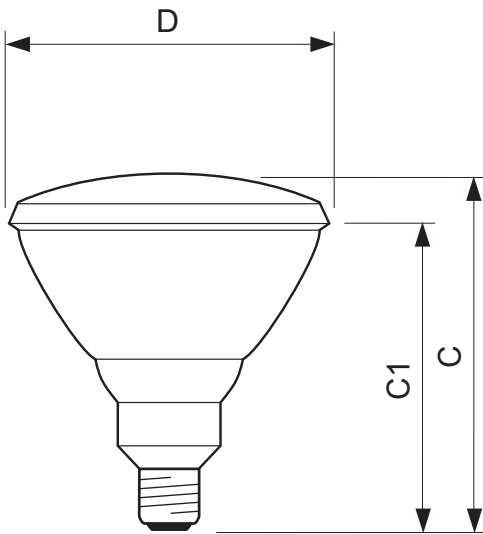
Overall Length C	135 (max) mm
Overall Length Rim C1	123 (max) mm
Diameter D	121 mm

### • Product Data

Order code	923813634608
Full product code	923813634608
Full product name	Ref IR 175W 115-125V Red 1CT
Order product name	IR175R/PAR 120V 12/1
Pieces per pack	1
Packing configuration	12
Packs per outerbox	12
Bar code on pack - EAN1	46677116279
Bar code on outerbox - EAN3	50046677232301
Logistic code(s) - 12NC	923813634608
Net weight per piece	308.000 gr

**PHILIPS**

## Dimensional drawing



### Ref IR 175W 115-125V Red 1CT

Product	C (Min)	C (Norm)	C (Max)	C1 (Min)	C1 (Norm)	C1 (Max)	D (Min)	D (Norm)	D (Max)
IR175R PAR38 175W E26 115-125V	-	-	135	-	-	123	-	121	-



E26



© 2014 Koninklijke Philips N.V. (Royal Philips)  
All rights reserved.

Specifications are subject to change without notice. Trademarks are the property of Koninklijke Philips N.V. (Royal Philips) or their respective owners.

[www.philips.com/lighting](http://www.philips.com/lighting)

2014, May 31  
data subject to change