

SPECIFICATION

NEXLEDS®

NEXLEDS LTD



Wet Location



Intertek
5002143



VIDEO



SMART FLOOD LIGHT
3000K-5700K +RGB

Smart Flood Light

NXSFR-15W / NXSFR-50W

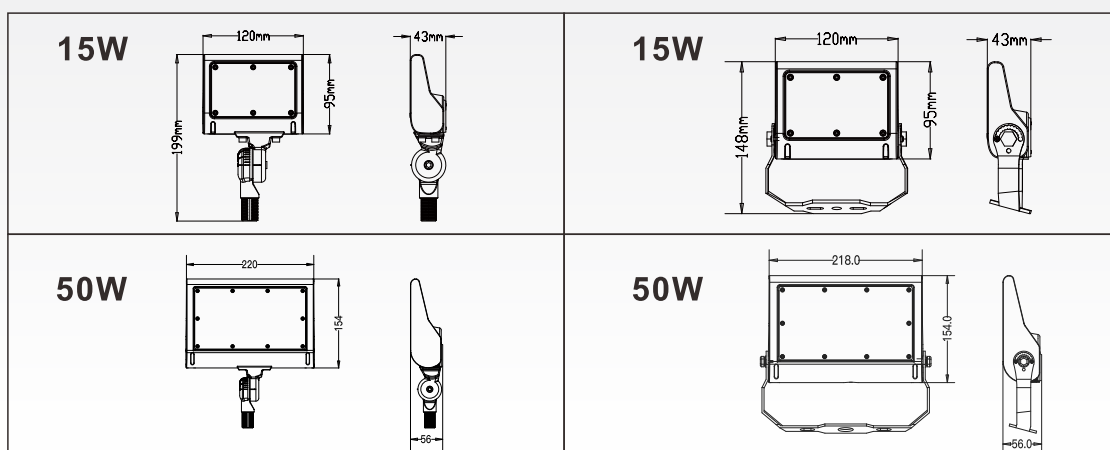
Specification

PRODUCT NAME :	Smart Flood Light
MODEL NO. :	NXSFR-15W-K / NXSFR-15W-Y NXSFR-50W-K / NXSFR-50W-Y
SPECIFICATION :	AC100-277V ; 50/60Hz; 15W / 50W
WORKING TEMP :	-20-50(°C)
POWER FACTOR :	>0.9
CRI(RA) :	>80
COLOR :	Brown Color
MATERIAL :	High thermal conductivity aluminum alloy + Clear lens
LIGHT SOURCE :	SMD3030+SMD5050
LUMEN :	1350-1500lm
LIFE TIME :	30000 hrs
BEAM ANGLE :	90X120°
PRODUCT SIZE :	4.72*3.74*1.69 inch / 8.66*6.06*2.2 inch
IP :	IP65
APPLICATION :	Home, Outdoor garden , Yard,
WARRANTY :	5 years
STANDARD :	ETL
COLOR TEMP :	3000K~5700K+RGB
INSTALLATION METHOD:	Knuckle / Bracket

Feature:

1. LED classic induction lighting function.
2. Color temperature: (3000K- -5700K)+RGB.
3. Life time: more than 30000H.
4. Contains no mercury.
5. Working environment: Dry Location, Damp Location, wet location.

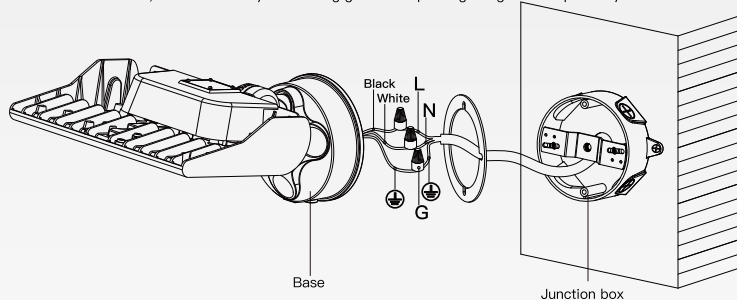
Dimension:



Instruction:

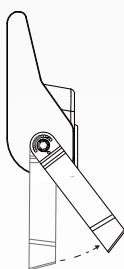
Knuckle Installation

Take out the lamp, disconnect the power supply, pass the power cord through the junction box and fix the junction box on the wall. Fix the lamp power cord through the base and fix it with a nut. Put the black wire, white wire and yellow rolling green wire passing the gasket respectively and connect the LNG line corresponding.



Bracket Installation

1. Take out the light from package, adjust the bracket and make the wire go through the hole on the bracket.



2. Disconnect the power supply, drill two holes in the wall and screws into the wall. After the power cord penetrates into the wall, the bracket is aligned with the hole of the wall and then locked into the screw to fix it on the wall. Connect the black line, white line, yellow rolling green line with L N G line corresponding.

