

# SPECIFICATION

# NEXLEDS®

NEXLEDS LTD



## SMART DIMMER SWITCH

## NX-SSWD-N

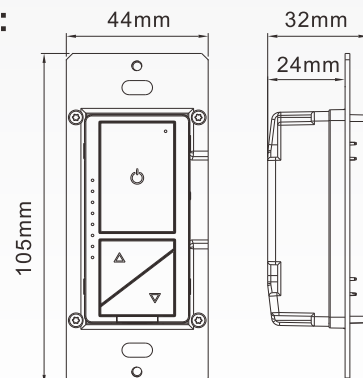
### Specification

Product Name:	Smart Dimmer Switch
Model NO.:	NX-SSWD-N
Rated Voltage, Frequency:	120V ,60Hz
Rated Power:	Max.600W
Communication:	WIFI
Switch Times:	≥40000 times
Installation Method:	In-Wall
Power Supply:	Neutral and Live wire
Dimmer Type :	Single Pole / 3-ways
Size:	105 x44 x32mm (LxWxH)
Application:	Indoor (living rooms, apartments, hotels, hospitals...etc)

### LOAD RANGE:

Incandescent lamp	1 5W-600W
LED lamp	3W-200W
Halogen lamp	1 5W-600W
Low voltage halogen lamp	3W-200W
CFL- fewer than 5pcs	3W-200W
Electric resistive heat	1 5W-600W

### Dimension:



www.nexleds.ca



Email: sales@nexleds.ca

# NEXLEDS®

NEXLEDS LTD