

# SPECIFICATION

# NEXLEDS®

NEXLEDS LTD



Wi-Fi Access



App Control



Multi-Platform Support



Mechanical Push On/Off



Voice Control

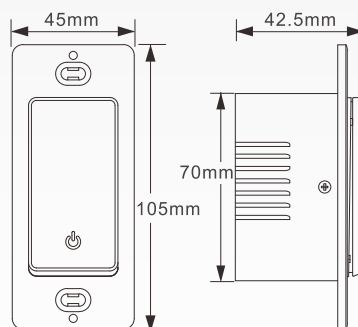
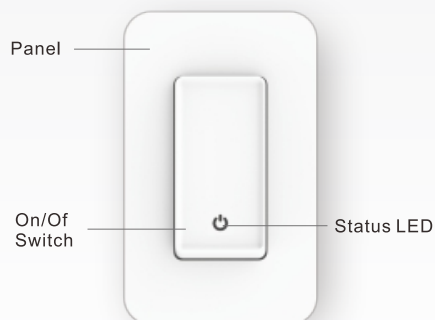


## 3-WAY SMART SWITCH

## NX-SSW-3

### Specification

Product Name:	3 Way Smart Switch
Model NO.:	NX-SSW-3
Input Power:	100~240V AC 60Hz
Control:	Relay
Communication:	WiFi 802.11 b/g/n 2.4GHz
Switch Type:	3-Way
Max Current:	15A
Standby Power:	≤0.5W
Button Life:	50K times
Dimension:	105*45*42.5mm



www.nexleds.ca



Email: sales@nexleds.ca

# NEXLEDS®

NEXLEDS LTD