

# SPECIFICATION

**NEXLEDS®**  
NEXLEDS LTD



11 inch



14 inch



16 inch



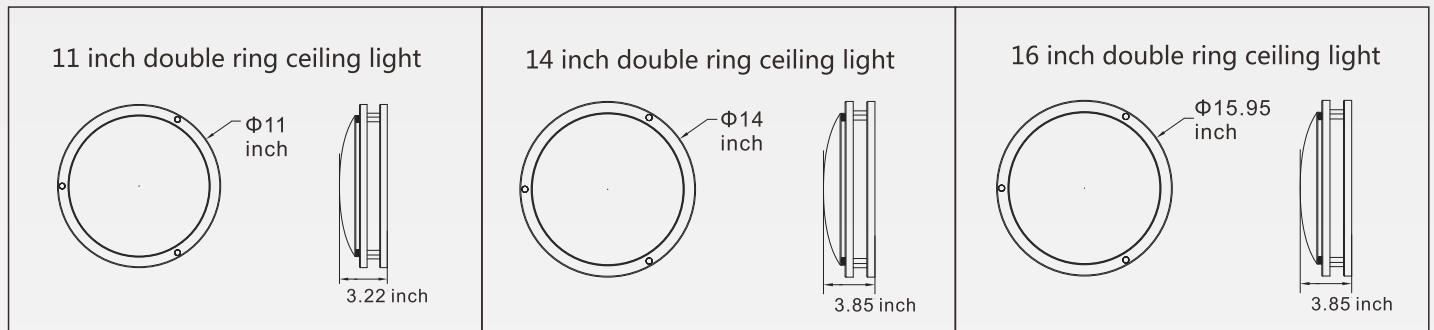
## LED Ceiling Light

NXFMDR11-18W / NXFMDR14-26W / NXFMDR16-33W

### Specification:

MODEL NO. :	NXFMDR11-18W	NXFMDR14-26W	NXFMDR16-33W
WATTAGE :	18W	26W	33W
POWER FACTOR :	>0.9	>0.9	>0.9
LUMEN :	1300 lm	1850 lm	2300 lm
PRODUCT SIZE:	11 inch	14 inch	16 inch
PRODUCT NAME :	LED Ceiling Light		
VOLTAGE :	AC120V;		
WORKING TEMP ::	-20-50(°C)		
CRI(RA) :	>80		
COLOR :	White Color		
LIGHT SOURCE :	Sanan Chip		
LIFE TIME :	50000 hrs		
BEAM ANGLE :	120°		
PRODUCT SIZE :	Dry Location; Damp Location		
IP :	Home, Shop, Hotel		
APPLICATION :	5 years		
WARRANTY :	ETL, ES		
STANDARD :	Adjustable CCT		
COLOR TEMP :	(3000K-4000K-5000K)		

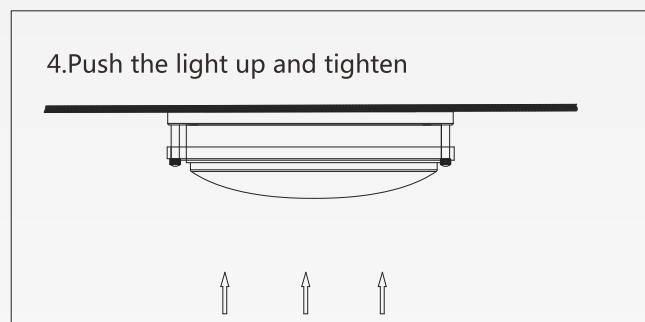
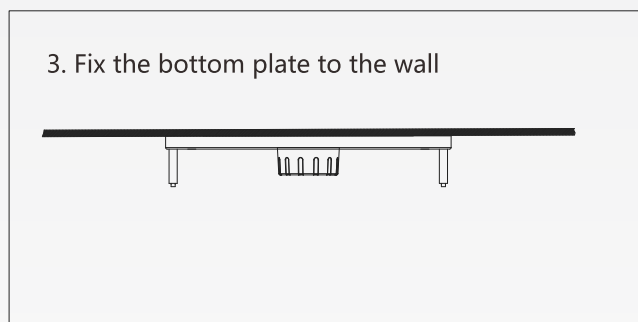
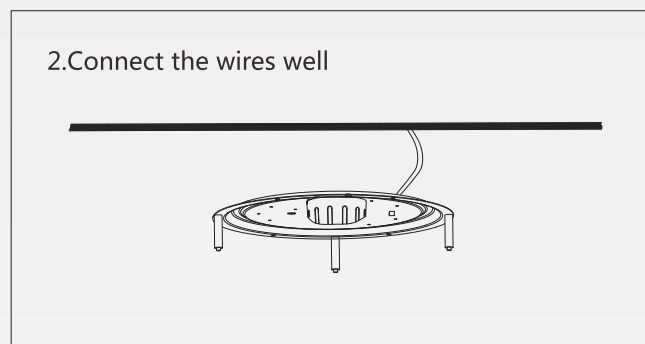
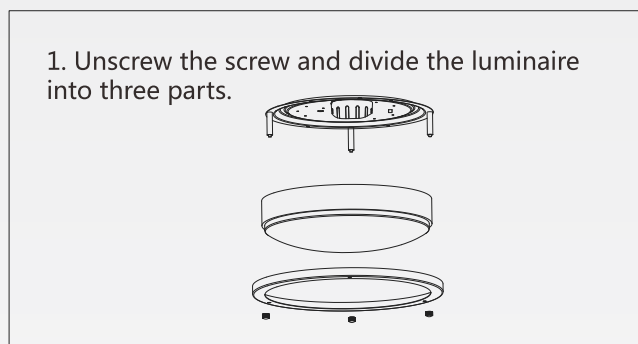
**Dimension:**



**Features:**

1. Led source use high bright LED chip, energy saving and pro-environment, lighting stable and long lifespan;
2. Optical-grade PC lampshade, the light is good, anti-aging, difficult to damage;
3. High heat conduction aluminum alloy shell, good heat dissipation, vacuum dust-free spray, anti-corrosion, no stripping;
4. Radiate light protection design, won't affect the lighting effects because of weather.

**Installation :**

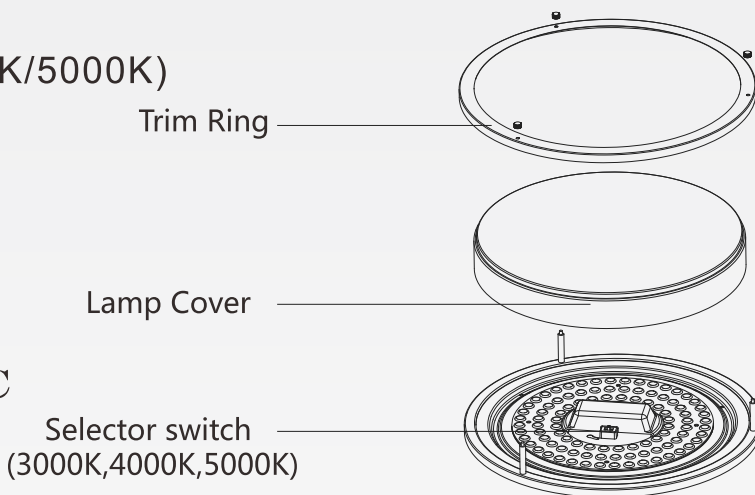


**Structure :**

Selector switch

Choose your favorite correlated color temperature (CCT,3000K/4000K/5000K) from 3 options using the switch on the LED board

- 1.Input Voltage: 120V/AC
- 2.Frequency: 50/60Hz
- 3.Working Temperature:-20°C--+45°C
- 4.Installation Height: 1-4m  
Standard Height :2.5m



**Warning :**

**WARNING: RISK OF ELECTRICAL SHOCK**

Turn off electrical power at fuse or circuit breaker box before wiring fixture to the power supply; Verify that supply voltage is within right and reasonable limits. Connect the fixture with 120V 50/60Hz power supply; Make all electrical and grounded connections in accordance with the National Electrical Code and applicable local code requirements;

All wiring connections should be capped with UL approved wire connections.

**WARNING: RISK OF BURN**

Wear gloves and safety glasses at all times when moving luminaire from carton, installing, servicing or performing maintenance; Avoid direct eye exposure to the light source while it is on. LED lights are very bright. Do not stare LED light beam in any case. Or this may cause irreparable damage to the eyes.; Allow fixture to cool before handling. Do not touch enclosure or light source; Do not exceed maximum wattage marked on luminaire label.

**WARNING: BE WARE OF FIRE**