

SPECIFICATION

NEXLEDS[®]
NEXLEDS LTD

20W-30W-40W

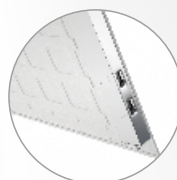
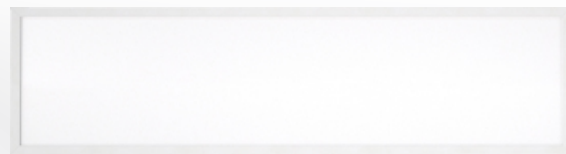
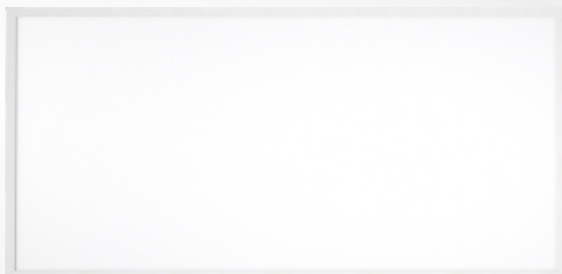
3 WATT Choosable

30W-40W-50W

3 WATT Choosable

3500K-4000K-5000K

3 CCT Choosable



VIDEO



LED Back Light Panel

NXLPE2X4-50W-3C-3W-DV

NXLPE1X4-40W-3C-3W-DV / NXLPE2X2-40W-3C-3W-DV

Specification:

PRODUCT NAME :	LED Backlit Panel Light		
MODEL NO. :	NXLPE2X4-50W-3C-3W-DV	NXLPE1X4-40W-3C-3W-DV	NXLPE2X2-40W-3C-3W-DV
WATTAGE :	30W-40W-50W Changeable 278-370-463mA	20W-30W-40W Changeable 185-278-370mA	20W-30W-40W Changeable 185-278-370mA
SPECIFICATION :	120-347V; 50/60Hz;		
WORKING TEMP :	-20-40(°C)		
POWER FACTOR :	0.9		
CRI(RA) :	>80		
COLOR :	White Color		
LIGHT SOURCE :	2835 LED Chip		
LUMEN :	110 lm / W		
LIFE TIME :	50000 hrs		
BEAM ANGLE :	110°		
PRODUCT SIZE :	47.80*23.82*1.38inch	47.80*11.81*1.77inch	23.82*23.82*1.38inch
IP :	IP20		
APPLICATION :	Home, Shop, Hotel, Office...etc		
WARRANTY :	5 years		
STANDARD :	UL, DLC, FCC		
COLOR TEMP :	3500K-4000K-5000K Changeable		



www.nexleds.ca



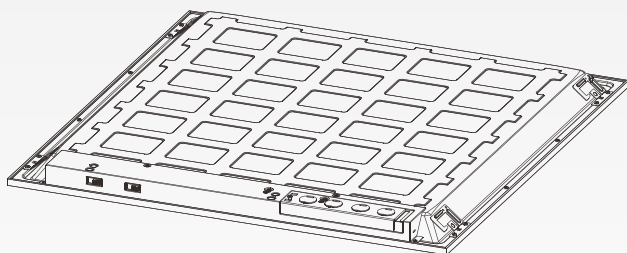
Email: sales@nexleds.ca

NEXLEDS[®]

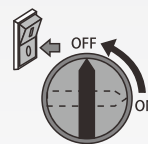
NEXLEDS LTD

Installation:

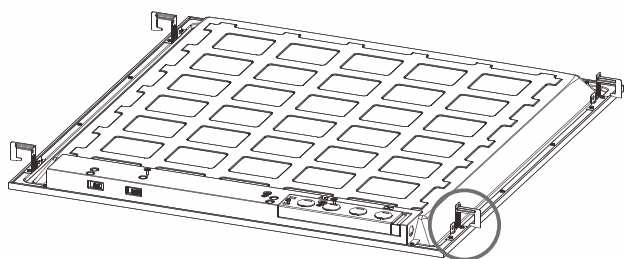
① Carefully unpack the fixture from its packaging and check contents.



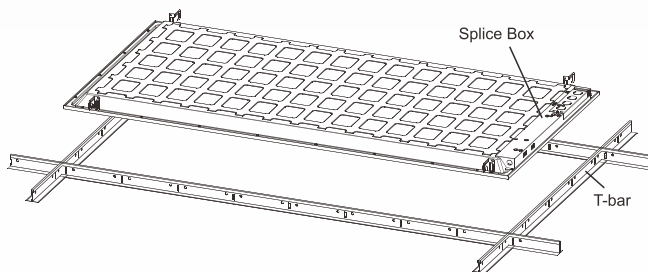
② Turn off power at circuit breaker.



③ Locate all four earthquake clips on the back of luminaire. Twist each tab away from luminaire testing them on the T-bar.

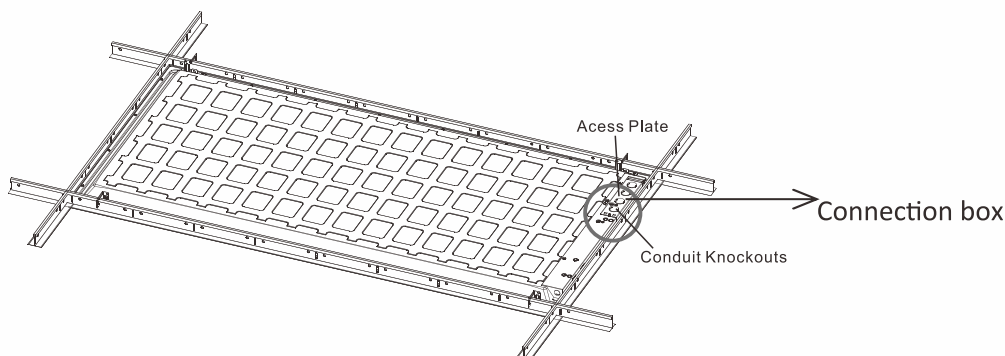


④ Rest the Luminaire on the T-Bar of the ceiling suspension system in the desired location.



⑤ Open the connection box and connect the incoming electrical wires to the set of power wires black to black(Live), white to white(Neutral) and green to green(ground). See wiring diagram 1;

⑥ For 1-10V dimming, make sure connect the same wire color . See wiring diagram 2

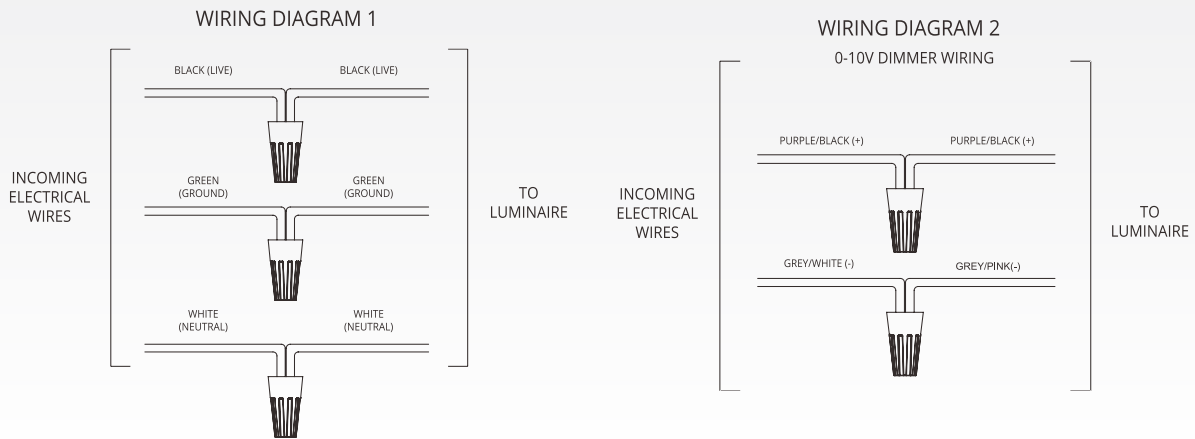


SPECIFICATION

NEXLEDS®

NEXLEDS LTD

Installation:



- ⑦ check the wiring, make sure everything is correct. Recover the connect on box.
- ⑧ Select the CCT and wattage you need. ⑨ Turn on power to light up the luminaire.

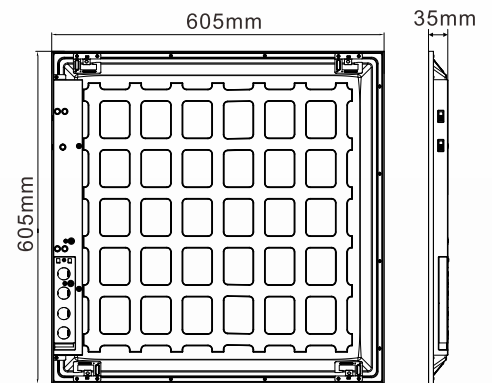
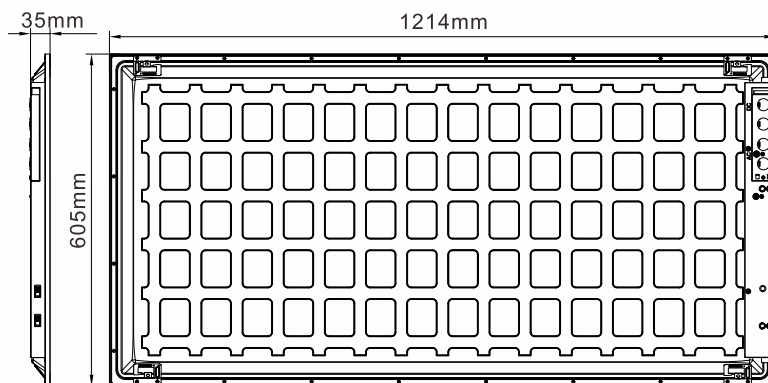
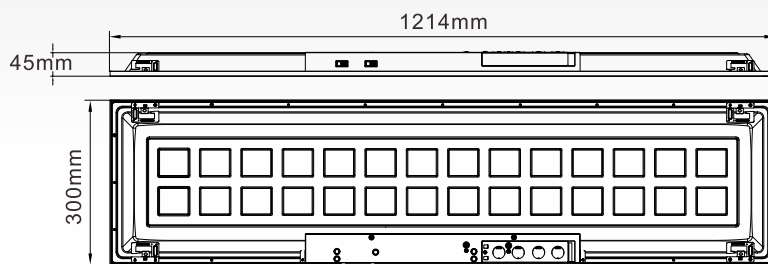
1x4, 2x2: 20W-30W-40W , 3500K-4000K-5000K



2x4 : 30W-40W-50W , 3500K-4000K-5000K



Dimension(Unit:mm)



www.nexleds.ca



Email: sales@nexleds.ca

NEXLEDS®

NEXLEDS LTD