

RA3-7G

LUNA™ LED

3" LUNA™ LED Gimbal Recessed Fixture Recess Lighting

Job Information		
Project Name		Type
Location		
Quantity		Date
Contact/Phone		
Notes		

Features

Body

Durable airtight aluminum body with adjustable gimbal. Includes anodized blue heat sink to provide maximum airflow for the LED light source.

LED Characteristics

This general application light fixture features a 7 watt LED module that maintains uniform intensity producing up to 650 lumens; with a typical CRI of 90. Available in 2700 K, 3000 K, 3500 K or 4000 K colour temperature.

Dimming

100%-10% dimming capability. This fixture is compatible with industry standard TRIAC/ELV dimmers (contact factory for listing of compatible dimmers).

Beam Spread

The fixture lens provides 45° beam spread.

Mounting

Includes two spring loaded clips to attached to any ceiling material.

LED Driver

Extruded aluminum hardwire box with 170mA dimmable class II electronic LED driver with 100-135V AC input. Includes an 18" cable from driver to fixture.

Quick Connect push-in terminals

Three "Quick connect" push-in terminals for fast and easy wiring.

Operating Temperature

-20°C~40°C (-4°F~104°F)

Environment

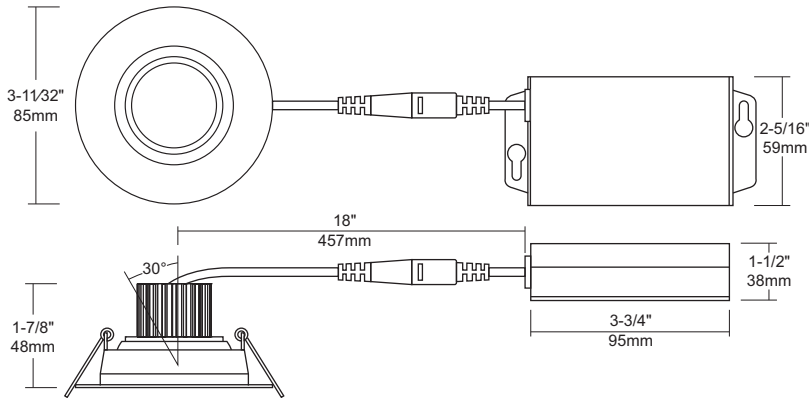
- Suitable for damp locations.
- Suitable for insulated ceiling applications.

SPECIFICATION	
Application	Ceiling Recess Mount
Approved Location	Damp / Insulated Ceilings
Beam Angle	45°
CCT	2700 K / 3000 K / 3500 K / 4000 K
Certification	cETLus
Class II	Yes
Colour	BK / BN / WH
CRI	90
Dimming	Yes
Dimming Tech	TRIAC/ELV
Energy Star	Yes
Hole Cut	Ø 2¾" (70mm)
Input	100-135V AC, 60Hz, 0.09A
LM79	Yes
LM80	Yes
Lumens	Up to 650
Lumens per Watt	Up to 92.8
Power Factor	>0.95
Projected Life	70% @ 50,000 hrs
Warranty	Lifetime
Wattage	7W



Description

The RA3-7G is a 7 watt 3" gimbal recessed light fixture for retrofit application. It is a high-performance, easy to install residential grade downlight solution that offers good light output, energy-efficiency and streamlined design. Suitable for damp locations.



Notes: Accessories are sold separately. For additional options please consult your Liteline representative. Due to our continued efforts to improve our products, product specifications are subject to change without notice.

Ordering Guide

Colour Temperature	Trim Finish
RA3-7G - <input type="text"/> - 90	<input type="text"/>
27K : 2700 K 30K : 3000 K 35K : 3500 K 40K : 4000 K	BK : Black BN : Brushed Nickel WH : White

Accessories



SLM-60-FC

60" Flexible connector, for use with SlimLED fixtures.



P-2810

2 3/4" Round pre-mounting plate with driver attachment clip, for 3" Retina LED fixtures.



P-NCMK-1

New construction mounting kit. Includes hanger bars, brackets and screws.



VBE-1

Vapour barrier extender. For use in new construction applications.



VBE-2

Vapour barrier extender. For use in remodel applications.



VBE-3

Vapour barrier extender. For use in remodel applications.



VBE-4

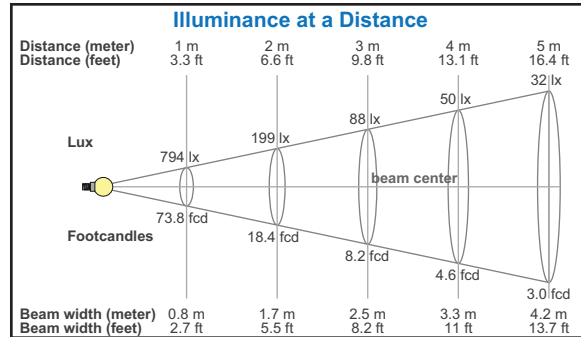
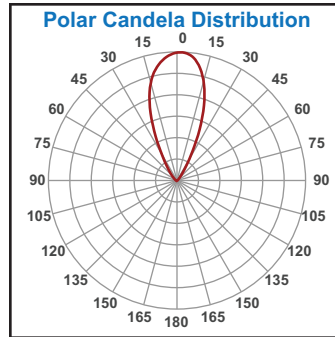
Vapour barrier extender. For use in remodel applications.

Photometry

RA3-7G-27K-90BK : 3" Retina I, 7W, 2700 K, 90CRI, black.

Zonal Lumen Summary

Zone	Lumens	% Luminaire
0-30	389.0	79.5%
0-40	446.4	91.2%
0-60	477.5	97.6%
60-90	8.9	1.8%
70-100	4.0	0.8%
90-120	1.5	0.3%
0-90	486.4	99.4%
90-180	2.9	0.6%
0-180	489.3	100%



Compatible Dimmers

Brand	Model	Light Output		No. of fixtures per dimmer	
		Min	Max	Min	Max
CFL / LED					
Lutron	DVCL-153	10%	85%	1	14
	PD-6WCL-	0%	80%	1	14
Leviton	IPL06	5%	88%	2	9
	6674	10%	88%	1	14
Legrand	HCL453PTC	0%	87%	1	14
ELV					
Lutron	MAELV-300	0%	90%	1	33
	NTELV-300	12%	85%	1	33
Leviton	IPE04	0%	93%	3	50
	DSE06	5%	99%	1	55
Legrand	H703PTU	19%	100%	2	68
INC					
Lutron	D600	0%	84%	2	14
	DV-600P	0%	87%	1	14
Leviton	6633-P	0%	97%	1	6
Cooper	R1061	0%	86%	1	14